

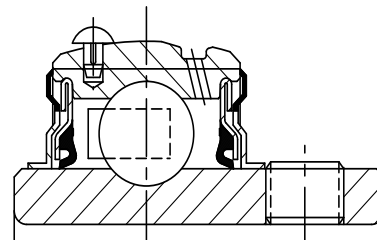
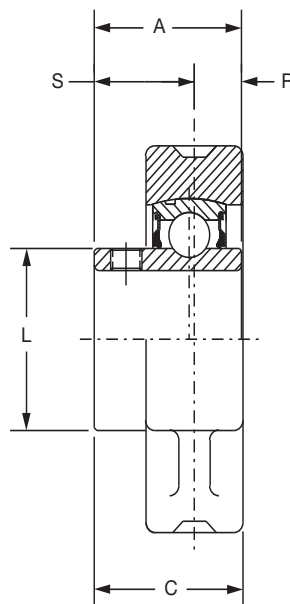
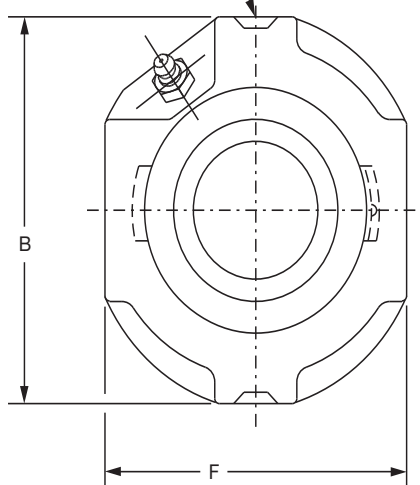


SELECTION/DIMENSIONS

Setscrew Ball Bearings SC NORMAL DUTY HANGER BEARINGS

Lube Fitting Thread Size:
1/4-28 tapered thread

M PLUNGER
SCREW



Series	Shaft Size	Part No.	Description
206	1-1/16	124420	HNG-SC-101
	1-1/8	124421	HNG-SC-102
	1-3/16	124240	HNG-SC-103
	1-1/4	123176	HNG-SC-104S
207	1-1/4	124422	HNG-SC-104
	1-5/16	124423	HNG-SC-105
	1-3/8	124424	HNG-SC-106
	1-7/16	124242	HNG-SC-107
210	1-15/16	124245	HNG-SC-115
	2	124393	HNG-SC-200

These bearings are designed for use in 4-point hanger frames.

Series	Shaft Size	Weight lbs.	A	B	C	F	L	M	R	S
206	1-1/16	2.0	1.52	3.63	1.50	3.00	1.57	1/2	0.58	0.94
	1-1/8	1.9								
	1-3/16	1.8								
	1-1/4	1.7								
207	1-1/4	2.8	1.71	4.25	1.68	3.50	1.84	1/2	0.67	1.04
	1-5/16	2.6								
	1-3/8	2.4								
	1-7/16	2.2								
210	1-15/16	6.2	1.94	5.00	2.00	4.19	2.43	1/2	0.75	1.19
	2	6.0								

FEATURES/BENEFITS PAGE B4-3	HOW TO ORDER/NOMENCLATURE PAGE B4-5	SELECTION PAGE B4-6	ACCESSORIES PAGE B4-98
--------------------------------	--	------------------------	---------------------------